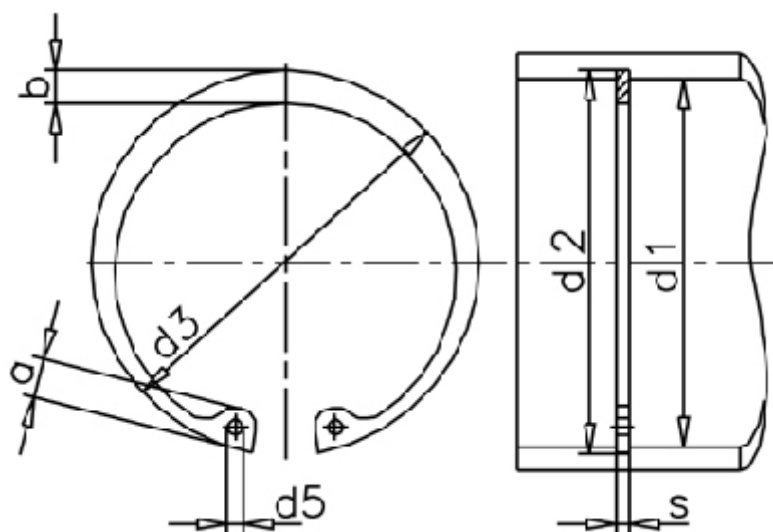


Article number: 0110049

Description: Retaining ring JS 32x1,5
Springsteel

Measures



a max = 5.7	Description = JS 32	t = 0.85
AN mm ² = 87	FN kN = 14.6	tol = 0.25
B = 1.56	FRg kN = 7.3	tol = +0,50 -0,25
b = 3.4	FR kN = 21.4	tol = -0.06
d1 = 32	g = 1.0	Tong = ZGJ-2
d2 = 33.7	m min = 1.60	Weight kg/1000 = 2.9
d3 = 34.4	Nominal drive = 2.6	
d5 min = 2.0	s = 1.50	